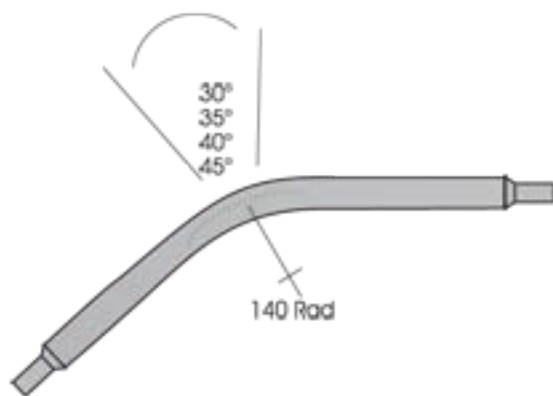
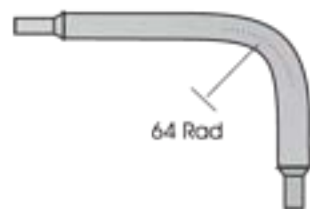


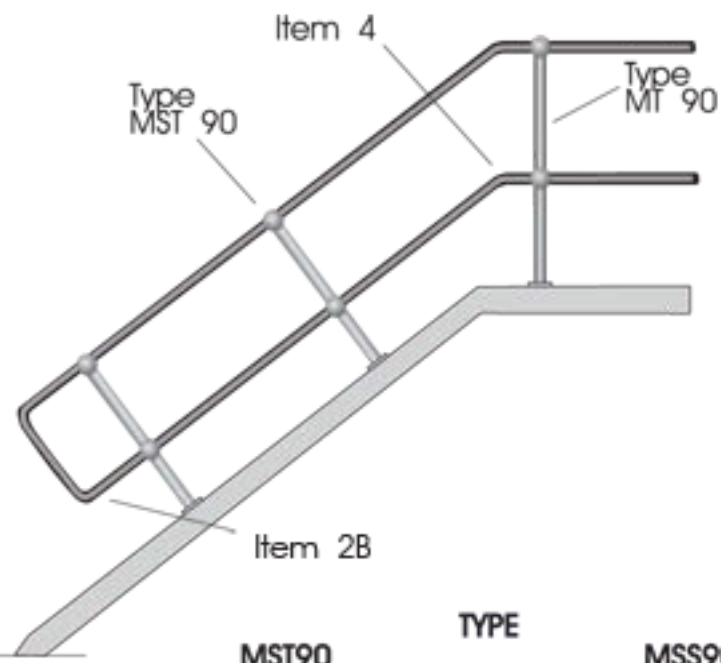
ITEM 3
3M 45° ANGLE CLOSURE
3AM 40° ANGLE CLOSURE
3BM 35° ANGLE CLOSURE (ms only)
3CM 30° ANGLE CLOSURE (ms only)
 Average mass kg
 1.8ms 3,8F 1,5ss



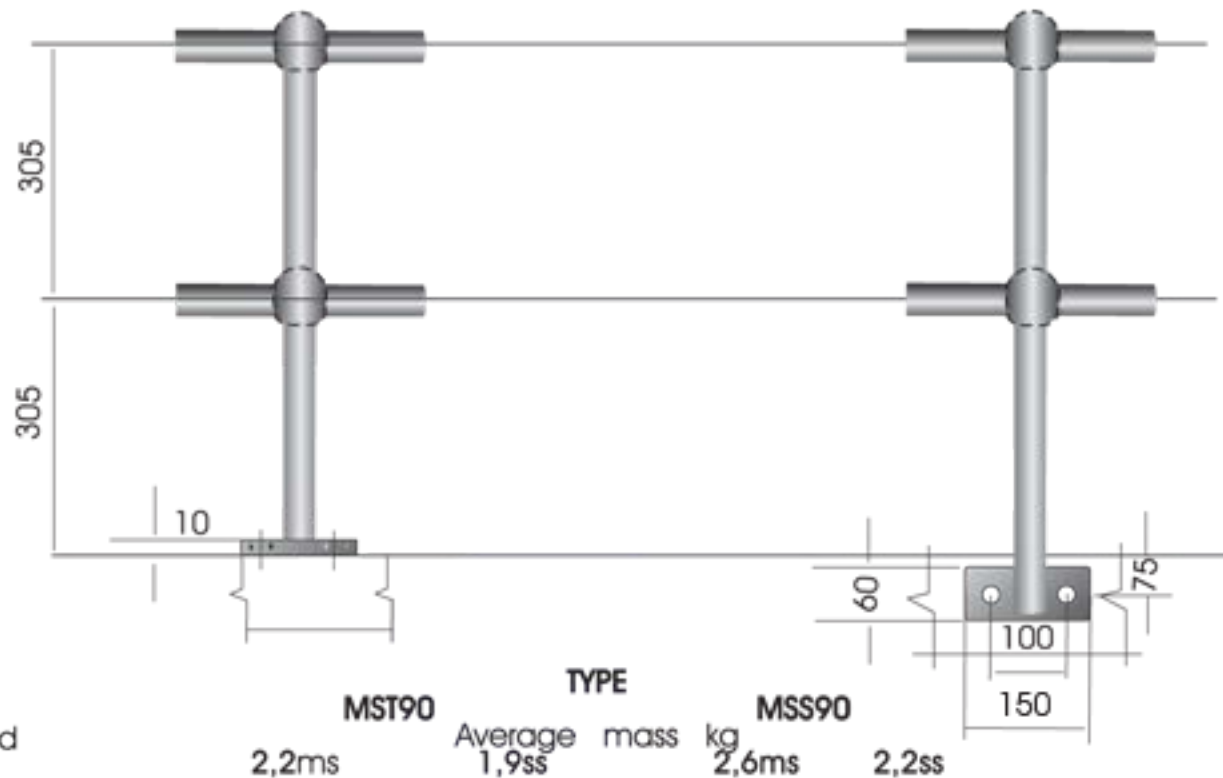
ITEM 4
4 45° STAIRWAY BEND
4A 40° STAIRWAY BEND
4B 35° STAIRWAY BEND (ms only)
4C 30° STAIRWAY BEND (ms only)
 Average mass kg
 1.1ms 2,3F 0,9ss



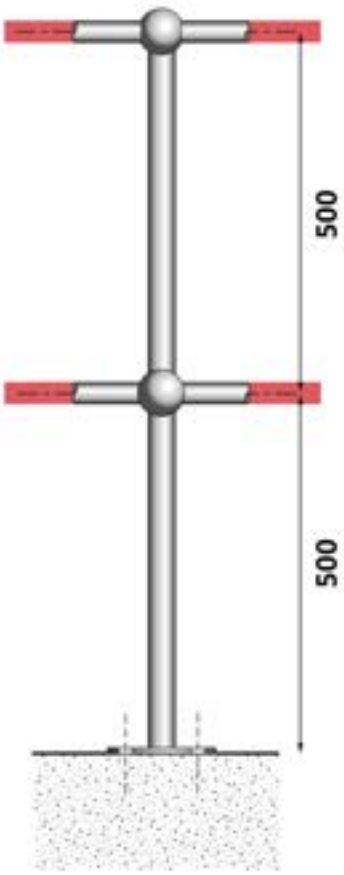
ITEM 5
90° SHORT RADIUS BEND
 Average mass kg
 0,9ms 1,9F 0,6ss



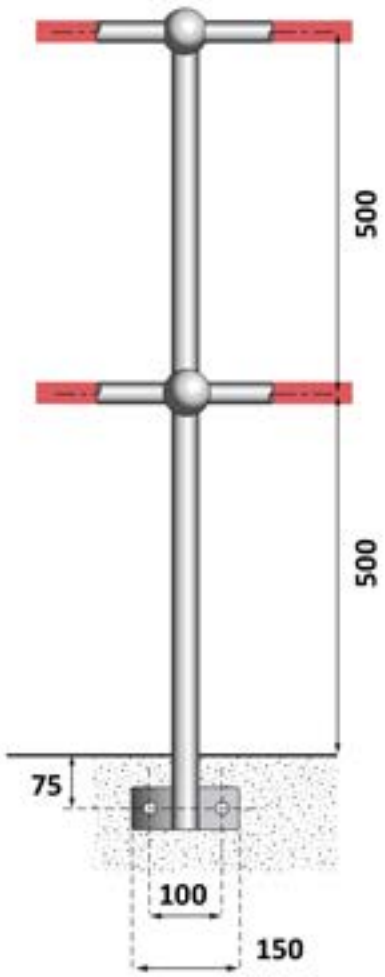
Stanchions fixed at 90° to stringers have been designed for use on staircases with angles greater than 45°



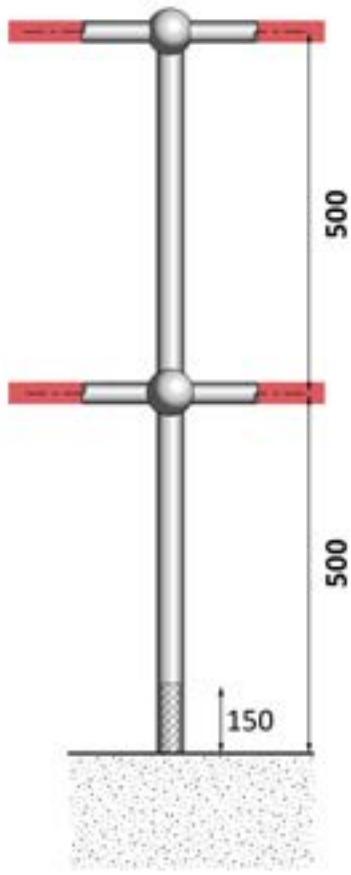
90° Top Mount



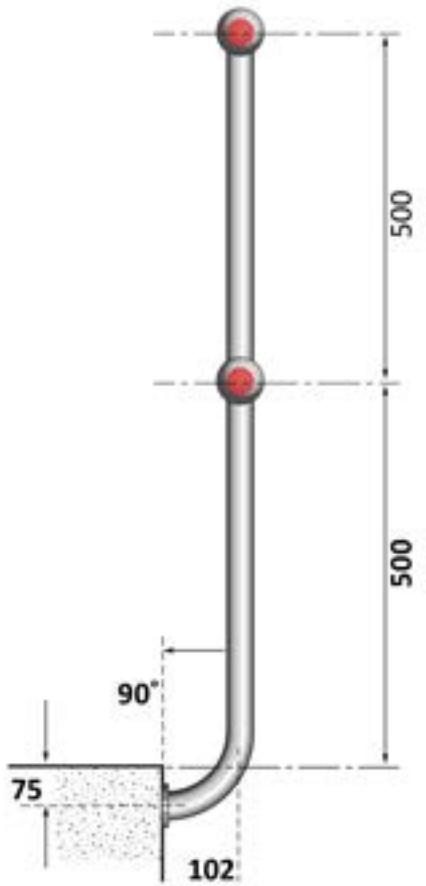
90° Side Mount



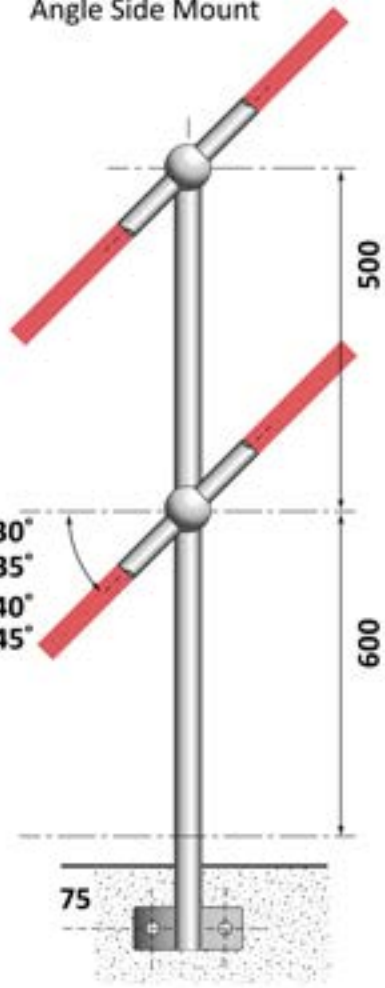
90° Peg Mount



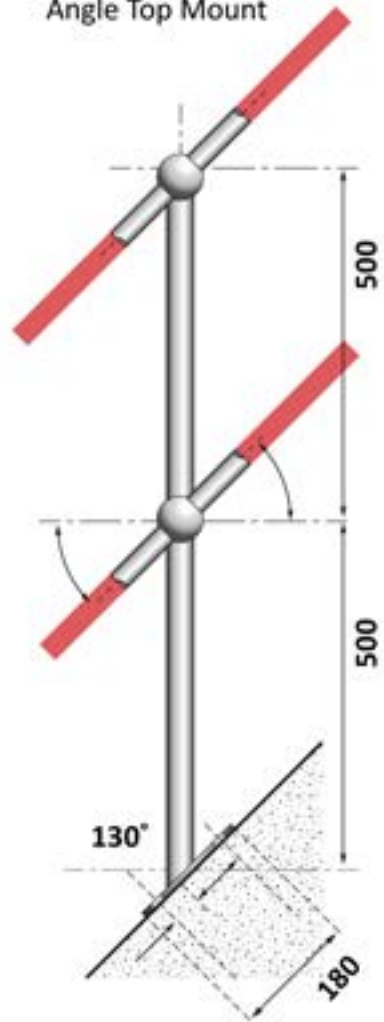
90° Goose Neck



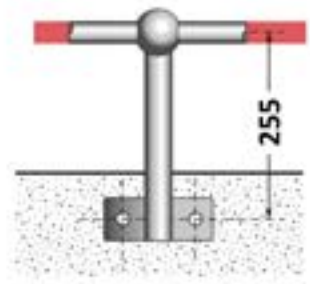
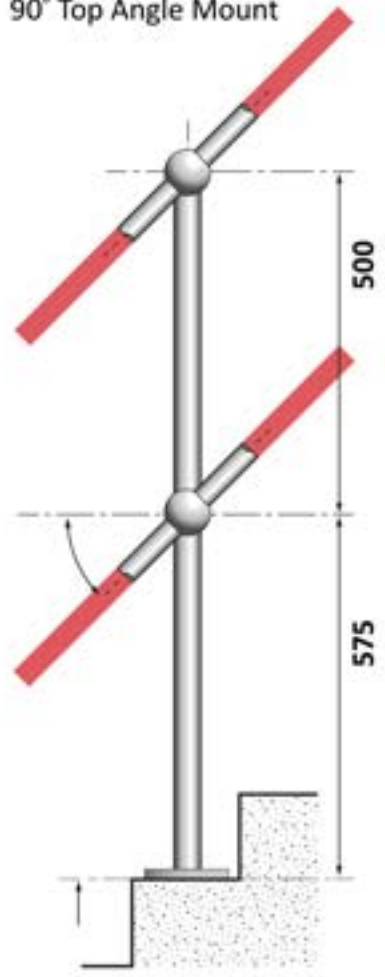
Angle Side Mount



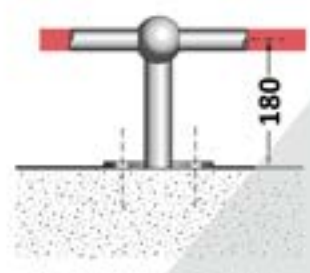
Angle Top Mount



90° Top Angle Mount



Ladder Side Mount



Ladder Top Mount

